

May 4, 1943.

P. R. HORN BROOK

2,318,395

CONVEYING APPARATUS

Filed Aug. 3, 1940

4 Sheets-Sheet 1

Fig. 1,

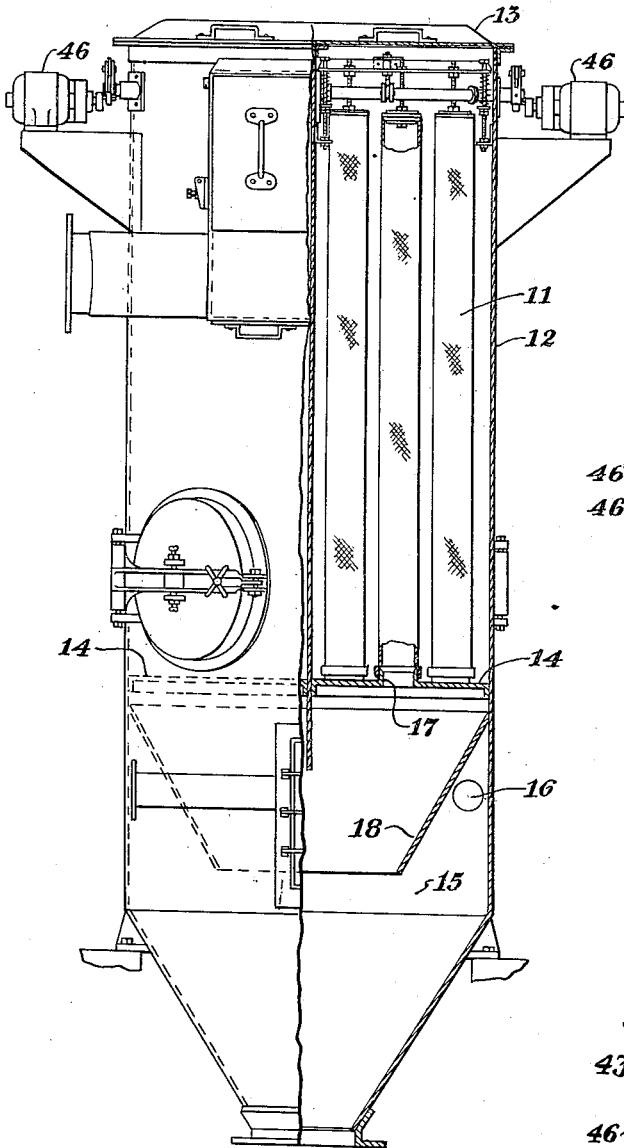


Fig. 2,

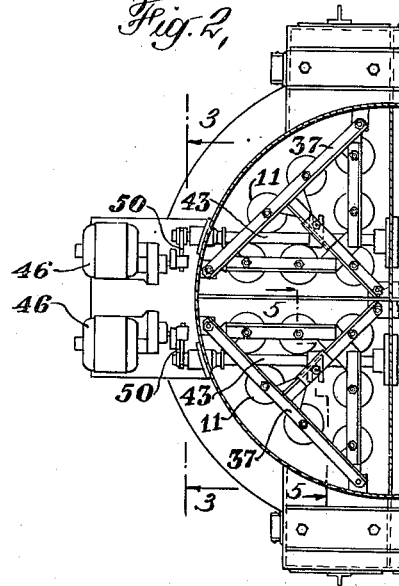
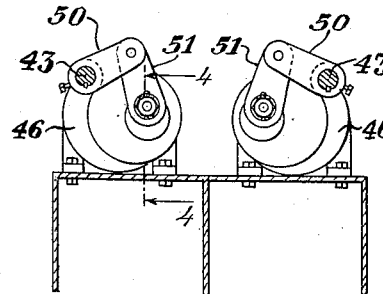


Fig. 3,



INVENTOR
Philip R. Hornbrook
James Davis
BY *Harold Edwards*
ATTORNEYS